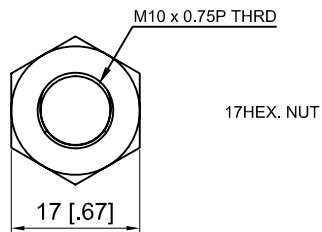
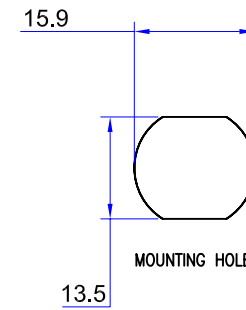
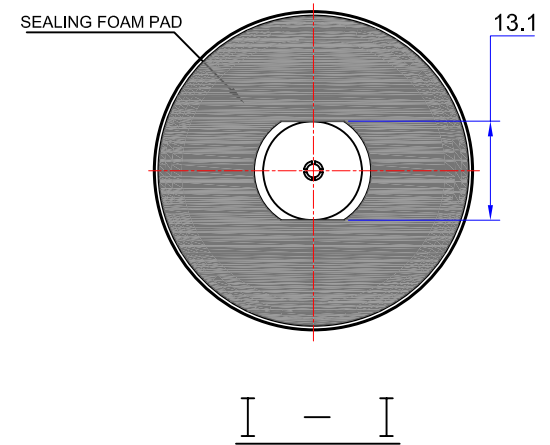
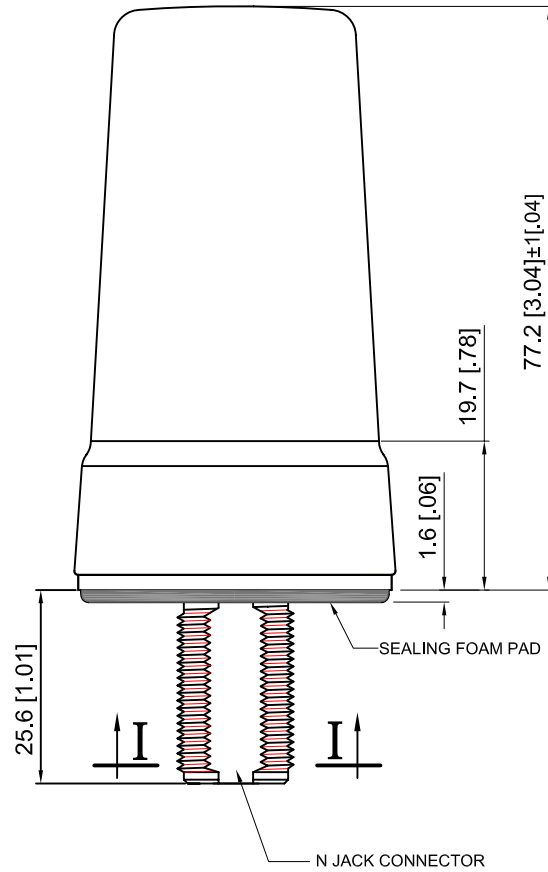


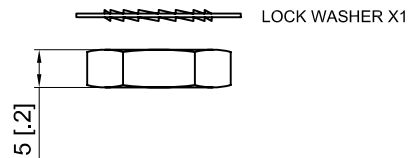
REVISIONS		
REV	ECN	DATE
--	--	---

**NOTES**

1. RADOME MATERIAL: XENYO™ 1731.
2. COLOR: BLACK OR WHITE
3. FREQUENCY: 824 - 894 MHz  
1710 - 2170 MHz
4. VSWR: 2:1
5. POWER HANDLING: 10W
6. RADIATOR: PC BOARD



17HEX. NUT



LOCK WASHER X1

TITLE	Multi-Band Low Profile Antenna 824-894/1710-2170MHz	Rev. Date	12/05/11	SHEET	1 OF 1
UNIT	DWG. NO.	W771N-AGDPU			
mm(In.)					
SCALE	<b>NEARSON</b>				
none					