

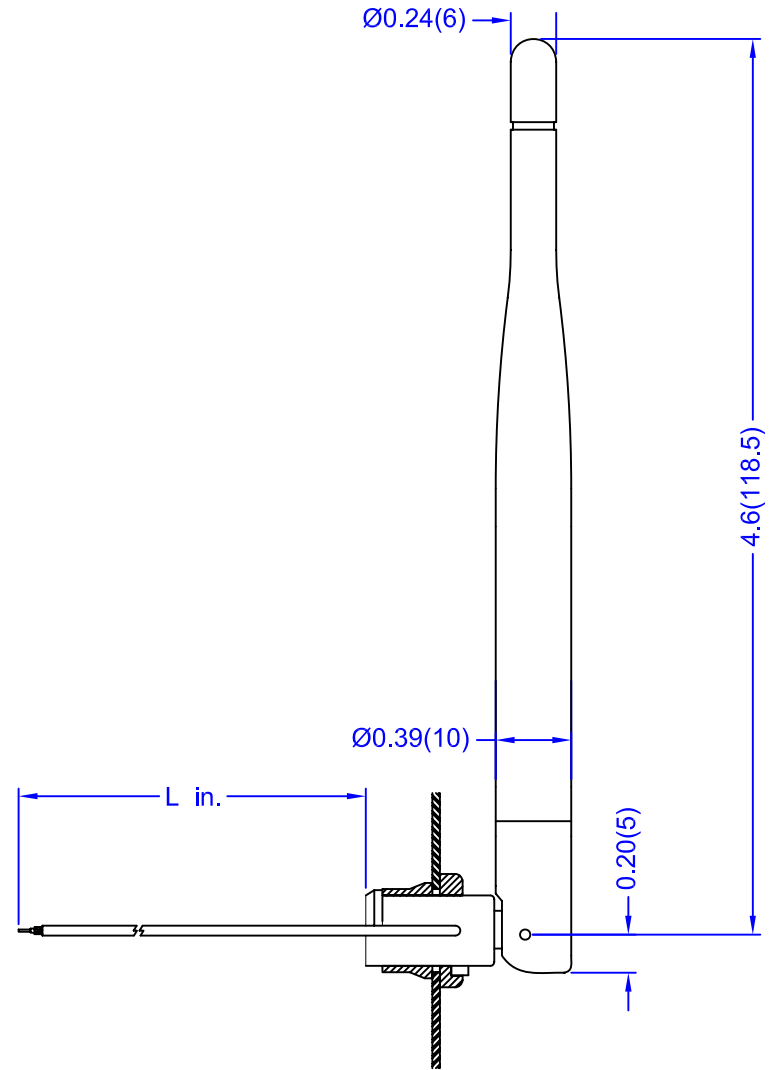
Electrical Properties:

Frequency Range: 902~928 MHz  
 Impedance: 50Ω nominal  
 VSWR: <2.0:1  
 Gain: 2 dBi  
 Radiation: Omni  
 Polarization: Vertical

\*Gain is measured under no flying lead.

Mechanical Properties:

Cable: Ø1.37mm Coaxial  
 Cable Length: L to be specified in inches)  
 Material:  
 Whip: Polyurethane(Black)  
 Swivel Joint: Polyurethane(Black)  
 Clip Nut: Polycarbonate(Black)  
 Operation Temp.: -20°C to +65°C  
 Storage Temp.: -30°C to +75°C



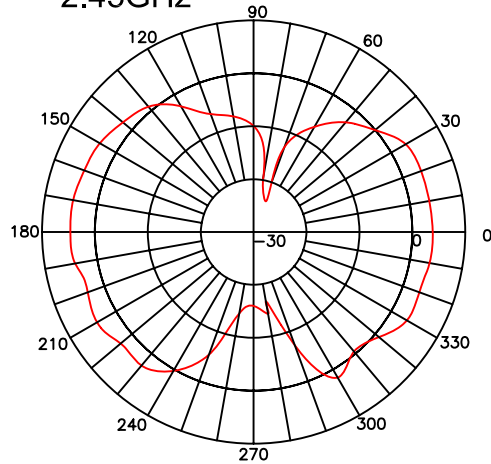
Series Part Numbers

Connector Code - XX -	Description	P / N
PX	IPEX Connector Plug	S152CL2-L-PX-915S
RMM	MMCX Plug Right Angle	S152CL2-L-RMM-915S

TITLE	900MHz Flying Lead Panel Click Antenna	DATE	04/01/09	SHEET	1 of 4
UNIT	DWG. NO.	S152CL2-L-XX-915S			
in.(mm)					
SCALE					
1:1					

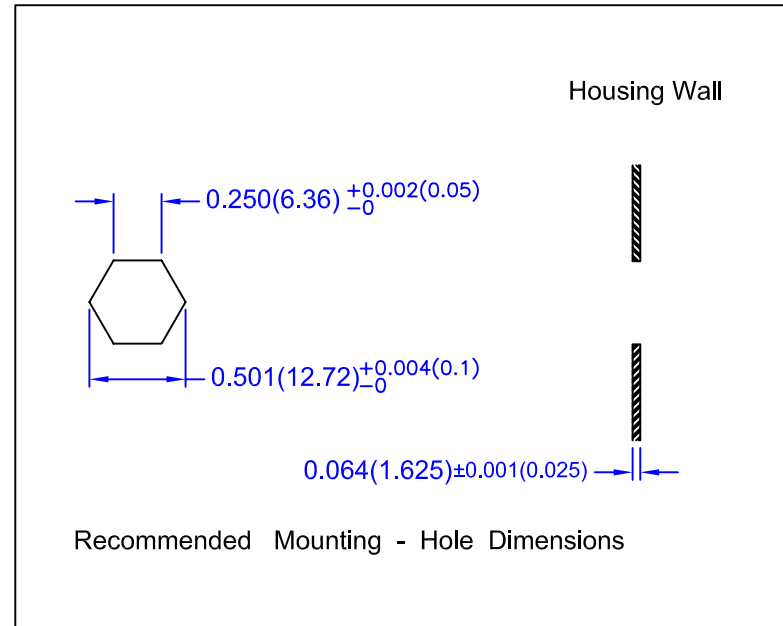
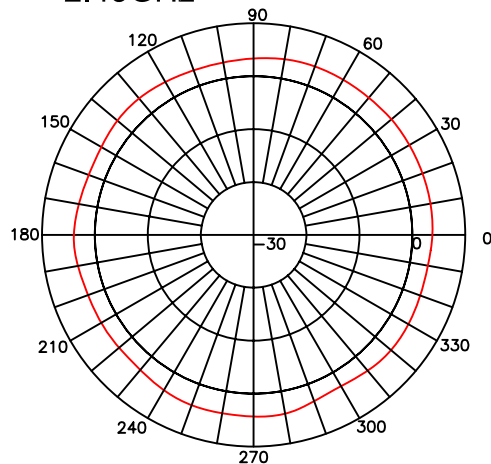
### E-Plane Field Patterns

2.45GHz



### H-Plane Field Patterns

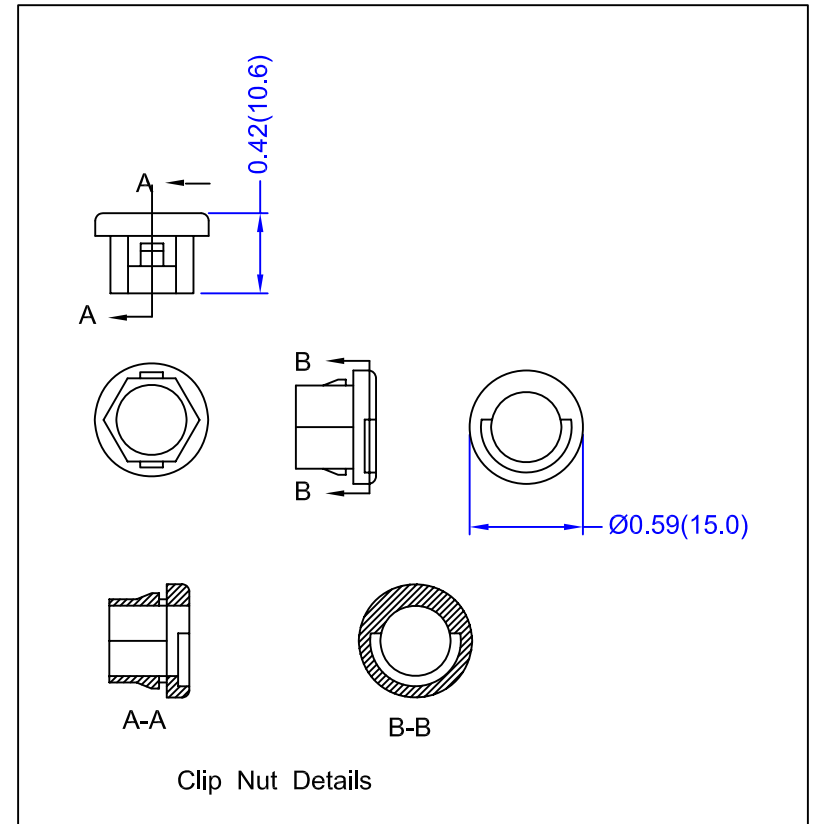
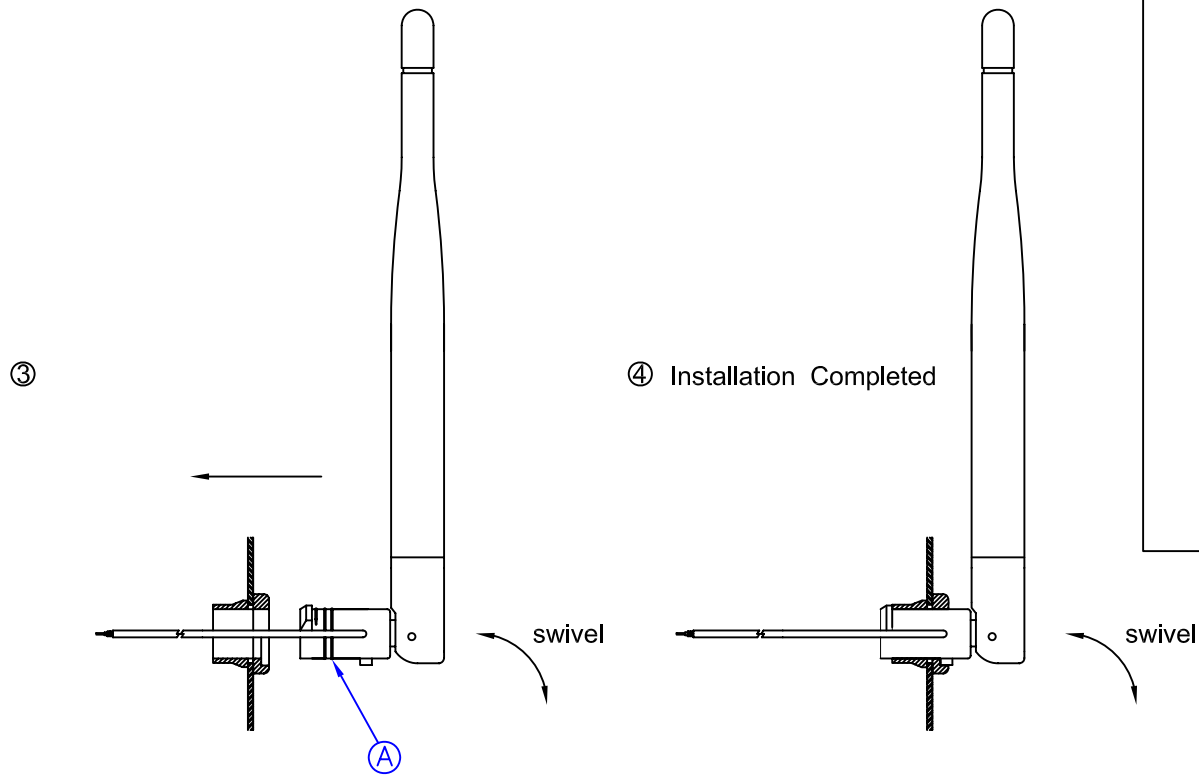
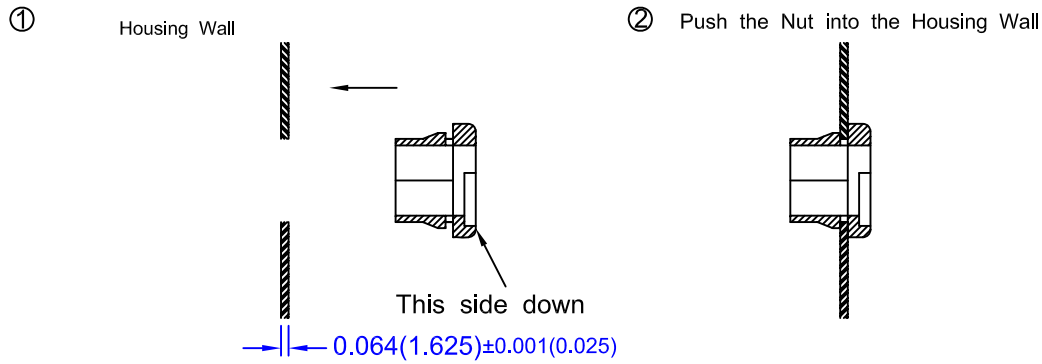
2.45GHz



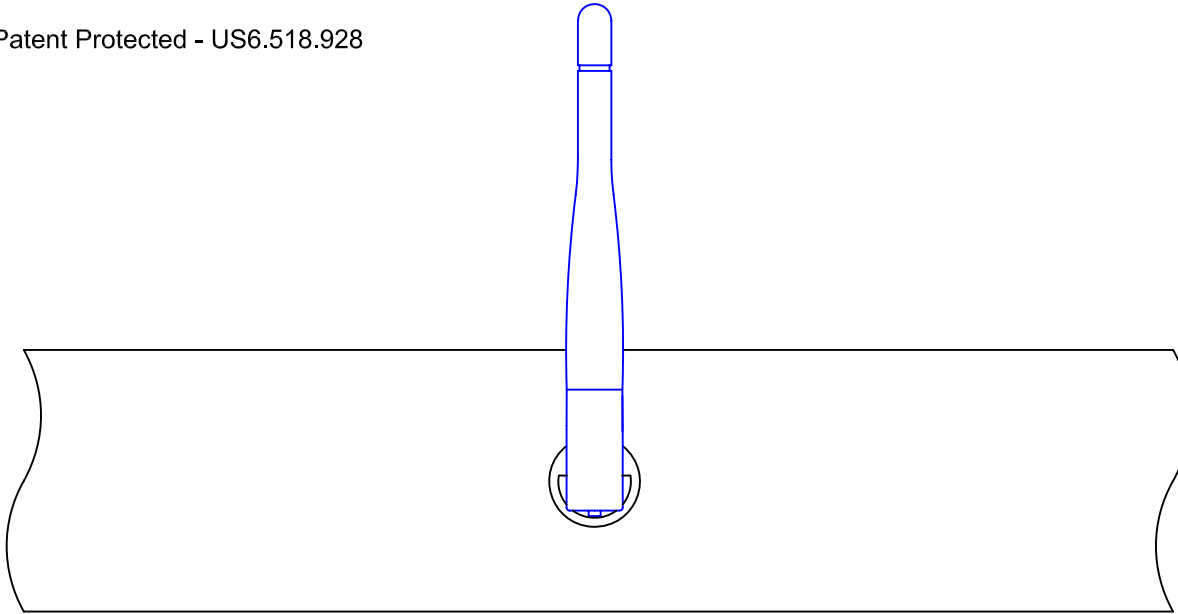
L (inch)	Attenuation (dB)
3"	0.23 dB
4"	0.30 dB
5"	0.38 dB
6"	0.45 dB
8"	0.60 dB
10"	0.75 dB
12"	0.90 dB

Flying Lead Cable Length v.s. Attenuation Table  
1.37mm Cable Measured @ 2.45GHz

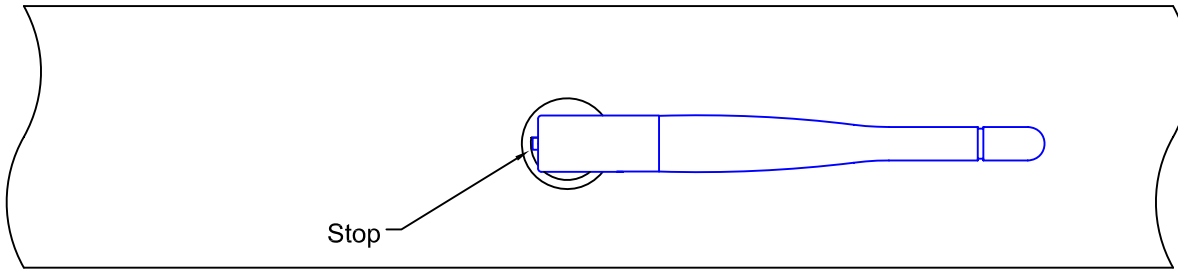
TITLE	900MHz Flying Lead Panel Click Antenna	DATE	04/01/09	SHEET	2 of 4
UNIT	DWG. NO.	S152CL2-L-XX-915S			
in.(mm)					
SCALE					



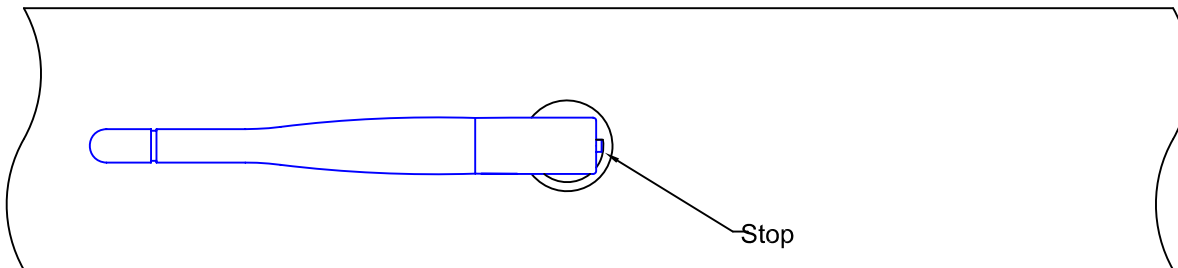
TITLE	900MHz Flying Lead Panel Click Antenna	DATE	04/01/09	SHEET	3 of 4
UNIT	DWG. NO.	S152CL2-L-XX-915S			
in.(mm)					
SCALE					
none		<b>NEARSON</b>			



Antenna Upward



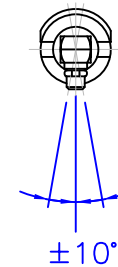
Rotation +90°



Rotation -90°

1. 152CL2 model can also rotate in panel parallel direction.
2. Rotate in -90° to +90° prevent the cable over-twisted inside the device.
3. The antenna can stay in any angle between -90° and +90°.

connector direction point down as shown



TITLE	900MHz Flying Lead Panel Click Antenna	DATE	04/01/09	SHEET	4 of 4
UNIT	DWG. NO.	S152CL2-L-XX-915S			
in.(mm)	<b>NEARSON</b>				
SCALE					
None					