

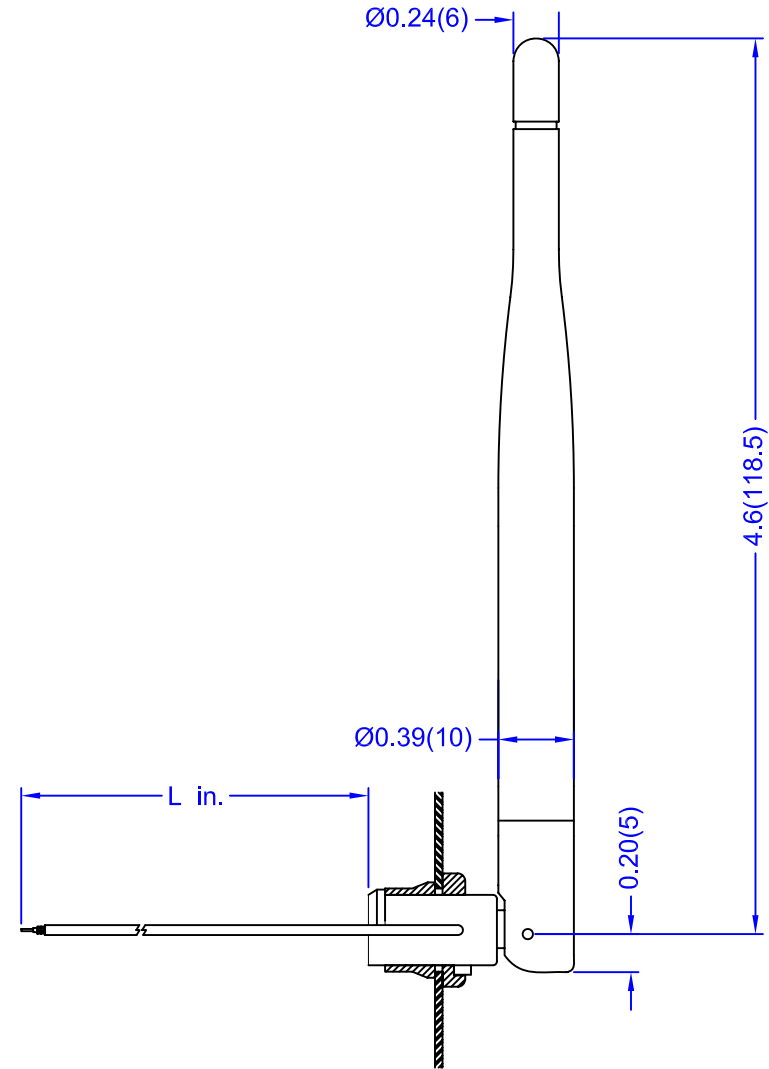
Electrical Properties:

Frequency Range: 2.4~2.5 GHz
 Impedance: 50Ω nominal
 VSWR: <2.0:1
 Gain: 4 dBi
 Radiation: Omni
 Polarization: Vertical

*Gain is measured under no flying lead.

Mechanical Properties:

Cable: Ø1.37mm Coaxial
 Cable Length: L to be specified in inches
 Material:
 Whip: Polyurethane(Black)
 Swivel Joint: Polyurethane(Black)
 Clip Nut: Polycarbonate(Black)
 Operation Temp.: -20°C to +65°C
 Storage Temp.: -30°C to +75°C



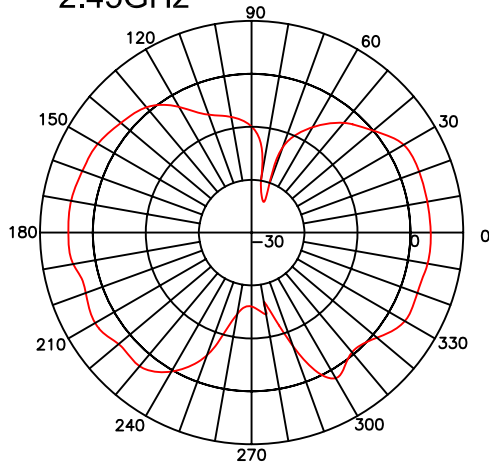
Series Part Numbers

Connector Code - XX -	Description	P / N
PX	IPEX Connector Plug	S152CL2-L-PX-2450S
RMM	MMCX Plug Right Angle	S152CL2-L-RMM-2450S

TITLE	2.4GHz Flying Lead Panel Click Antenna	DATE	04/01/09	SHEET	1 of 4
UNIT	DWG. NO.	S152CL2-L-XX-2450S			
in.(mm)					
SCALE					
1:1					

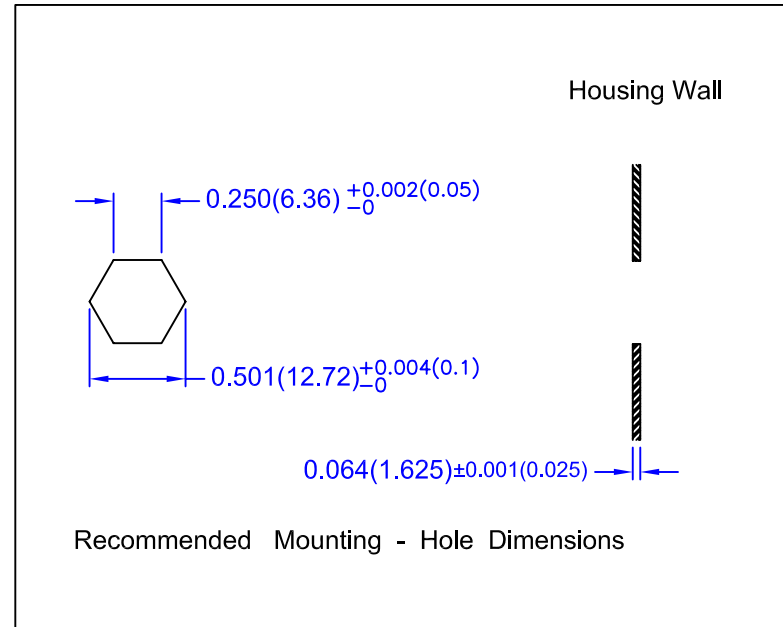
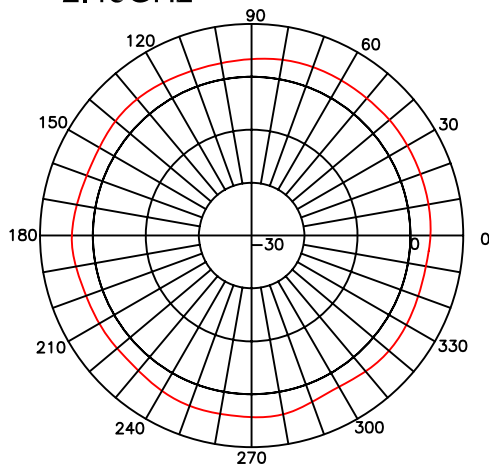
E-Plane Field Patterns

2.45GHz



H-Plane Field Patterns

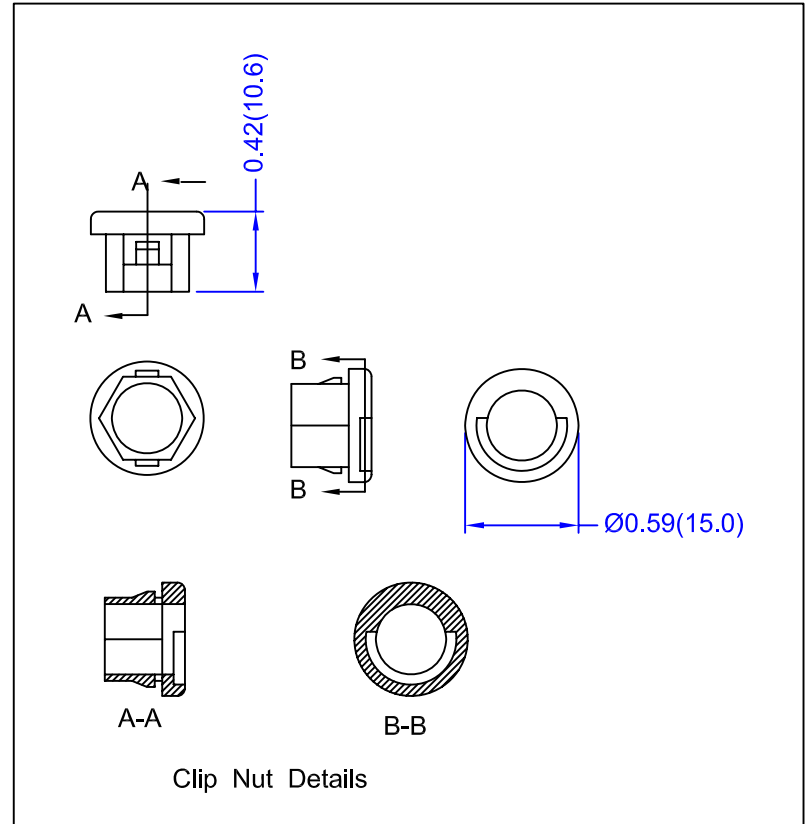
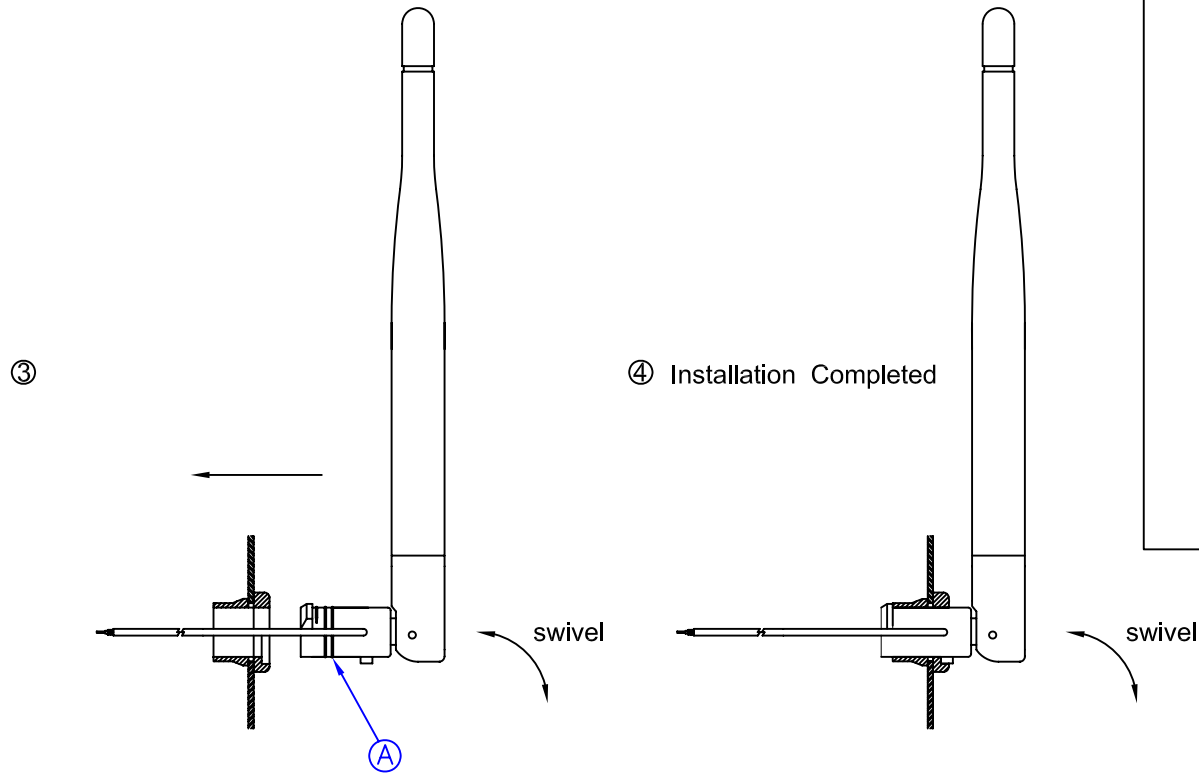
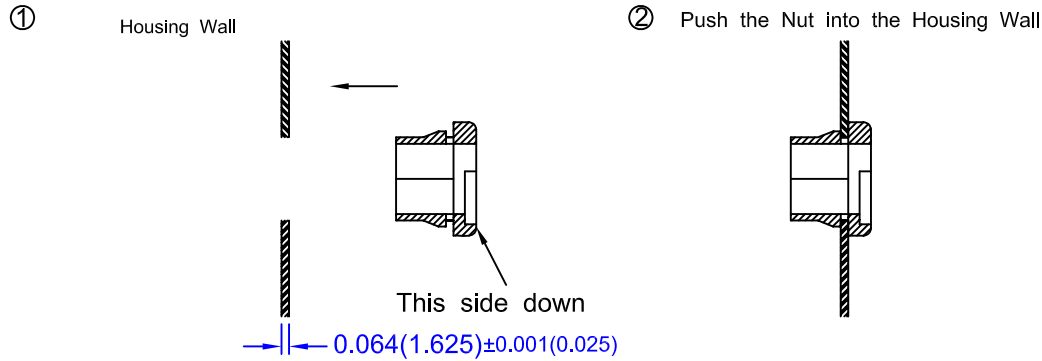
2.45GHz



L (inch)	Attenuation (dB)
3"	0.23 dB
4"	0.30 dB
5"	0.38 dB
6"	0.45 dB
8"	0.60 dB
10"	0.75 dB
12"	0.90 dB

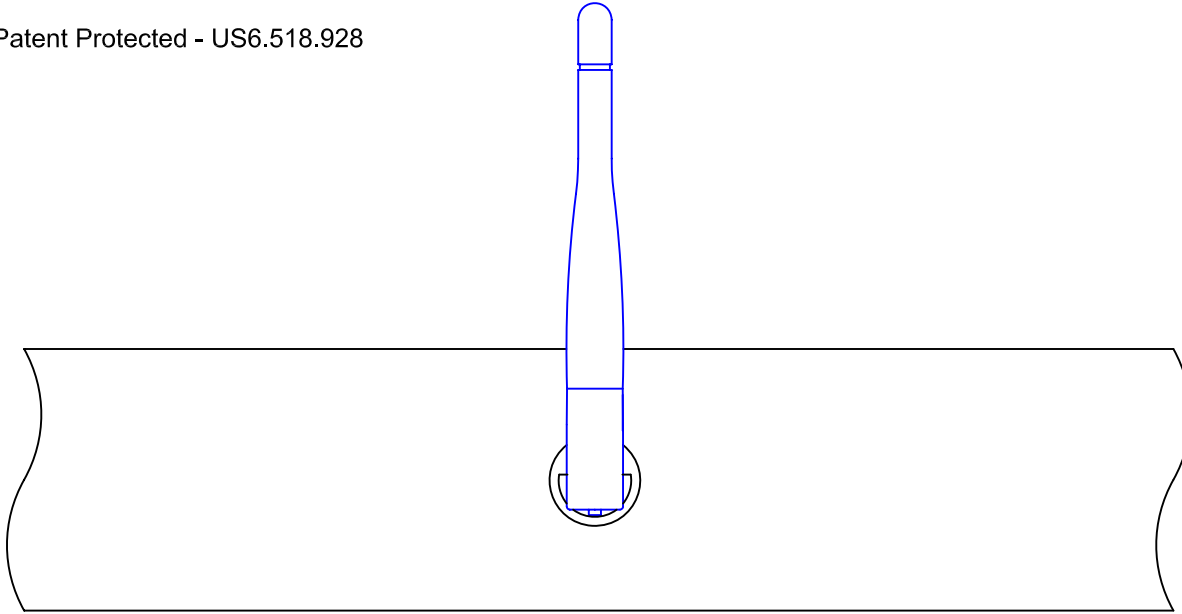
Flying Lead Cable Length v.s. Attenuation Table
1.37mm Cable Measured @ 2.45GHz

TITLE	2.4GHz Flying Lead Panel Click Antenna		DATE	SHEET
			04/01/09	2 of 4
UNIT	DWG. NO.	S152CL2-L-XX-2450S		
in.(mm)				
SCALE	NEARSON			
1:1				

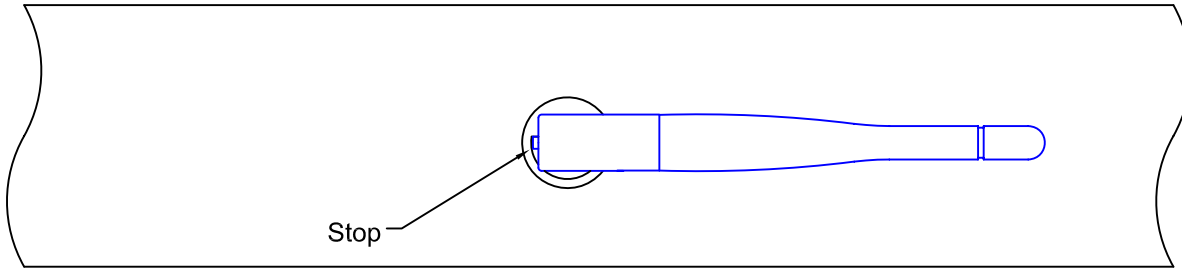


TITLE	2.4GHz Flying Lead Panel Click Antenna	DATE	04/01/09	SHEET	3 of 4
UNIT	DWG. NO.	S152CL2-L-XX-2450S			
in.(mm)					
SCALE					

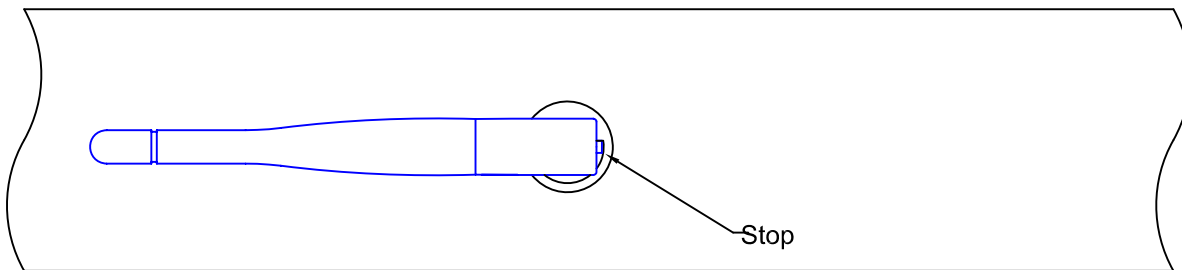
Patent Protected - US6.518.928



Antenna Upward



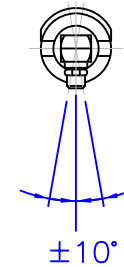
Rotation +90°



Rotation -90°

1. 152CL2 model can also rotate in panel parallel direction.
2. Rotate in -90° to +90° prevent the cable over-twisted inside the device.
3. The antenna can stay in any angle between -90° and +90°.

connector direction point down as shown



TITLE	2.4GHz Flying Lead Panel Click Antenna	DATE	SHEET
		04/01/09	4 of 4
UNIT	DWG. NO.	S152CL2-L-XX-2450S	
in.(mm)			
SCALE			
None			

NEARSON