

**Electrical Properties:**

Frequency Range: 2.4~2.5 GHz  
 Impedance: 50Ω nominal  
 VSWR: <2.0:1  
 Gain: 2 dBi(without ext. cable)  
 Radiation: Omni  
 Polarization: Vertical  
 Wave: Half Wave Dipole

\*Gain is measured under no flying lead.

**Mechanical Properties:**

Cable: M17/93-RG178 Coaxial Cable with L inches.  
 Material:  
 Whip: Polyurethane(Black)  
 Swivel Joint: Polyurethane(Black)  
 Clip Nut: Polycarbonate(Black)  
 Operation Temp.: -20°C to +65°C  
 Storage Temp.: -30°C to +75°C

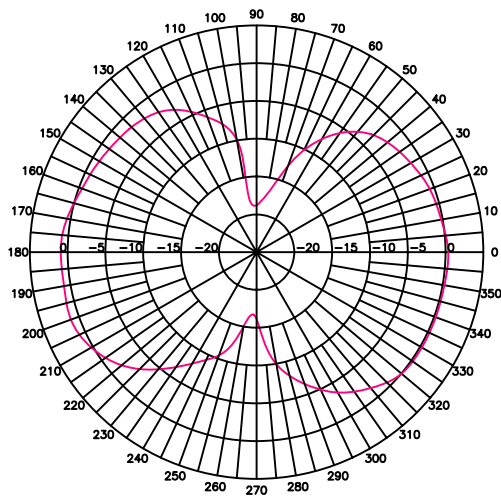
This is a RoHS compliance product.

**Series Part Numbers**

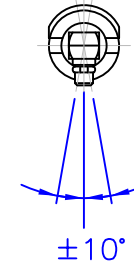
Connector Code - XXX -	Description	P / N
RMM	MMCX Right Angle Plug	S131CL2-L-RMM-2450S
MM	MMCX Straight Plug	S131CL2-L-MM-2450S
RMX	MCX Right Angle Plug	S131CL2-L-RMX-2450S

TITLE	2.4GHz Flying Lead Panel Click Antenna		DATE	SHEET
			03/25/09	1 of 4
UNIT	DWG. NO.	S131CL2-L-XXX-2450S		A
in.(mm)				
SCALE				
none				

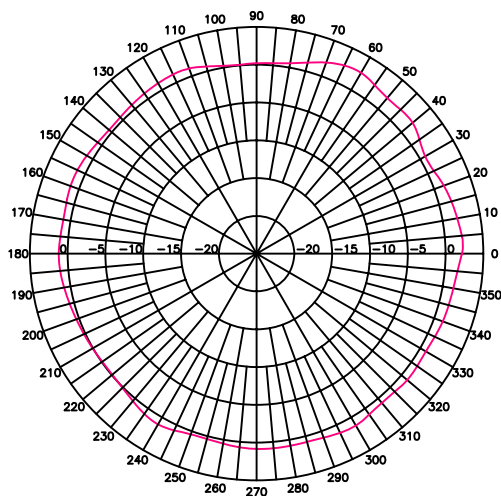
E-Plane Pattern @ 2.45GHz



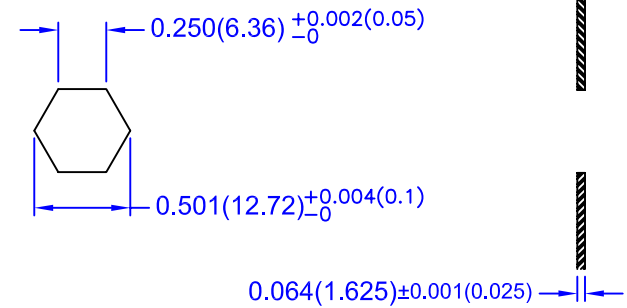
connector direction point down as shown



H-Plane Pattern @ 2.45GHz



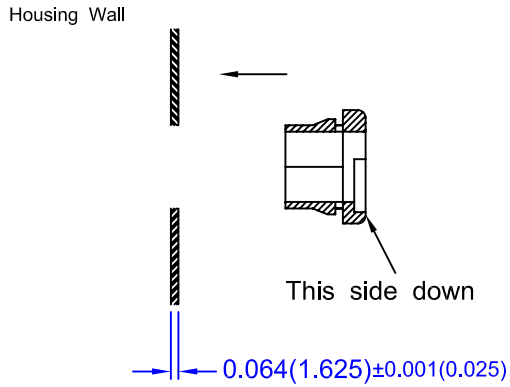
Housing Wall



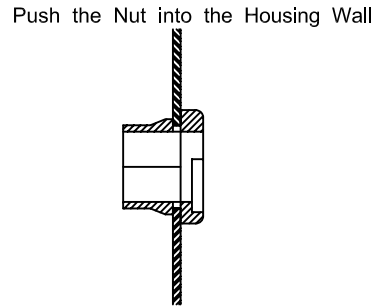
Recommended Mounting - Hole Dimensions

TITLE	2.4GHz Flying Lead Panel Click Antenna		DATE	SHEET
			03/25/09	2 of 4
UNIT	DWG. NO.	S131CL2-L-XXX-2450S		A
in.(mm)				
SCALE				
none	<b>NEARSON</b>			

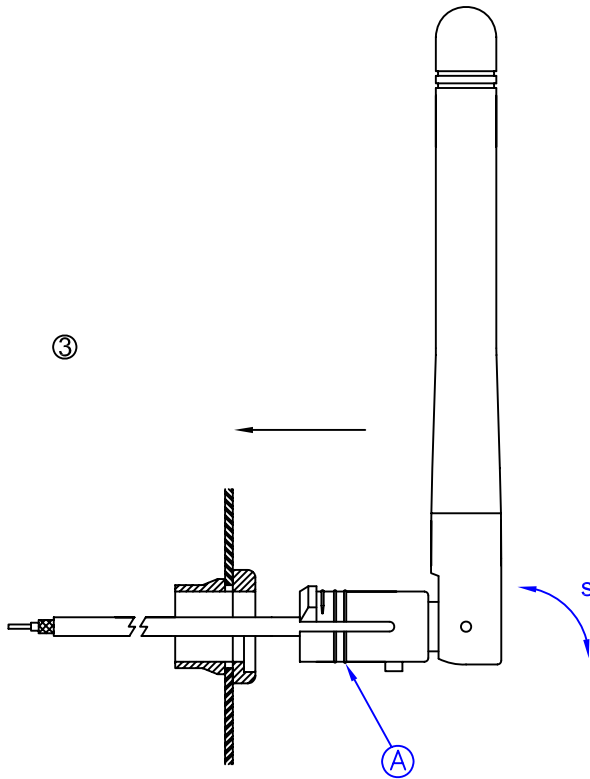
①



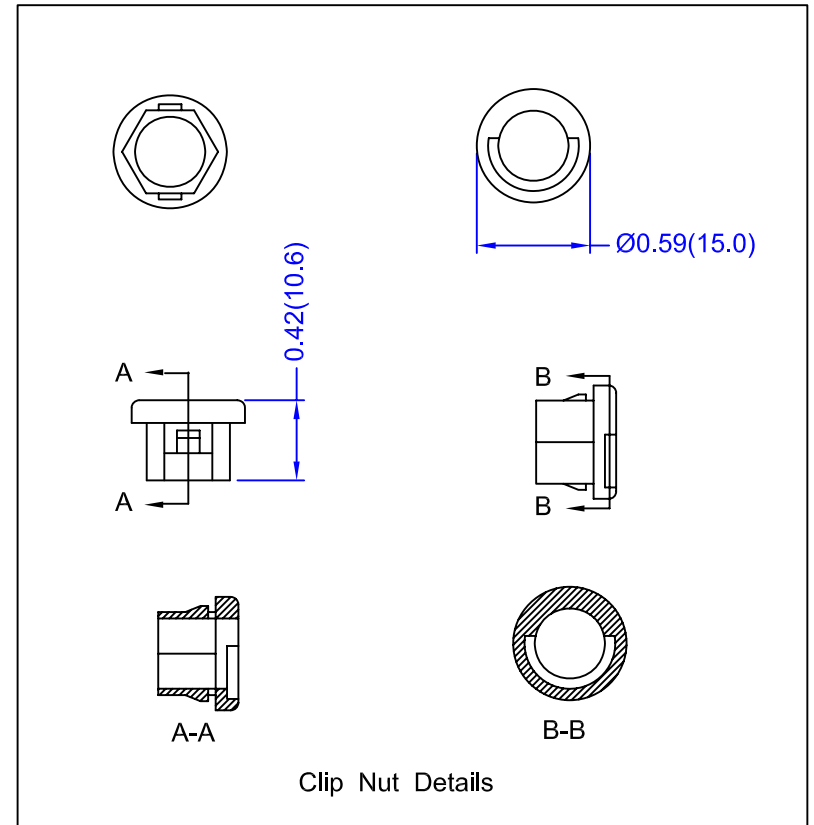
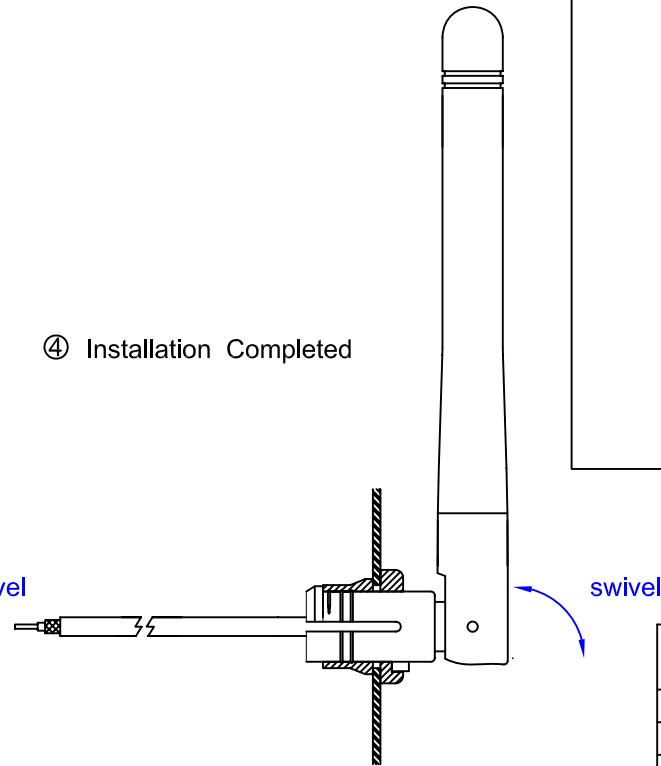
②



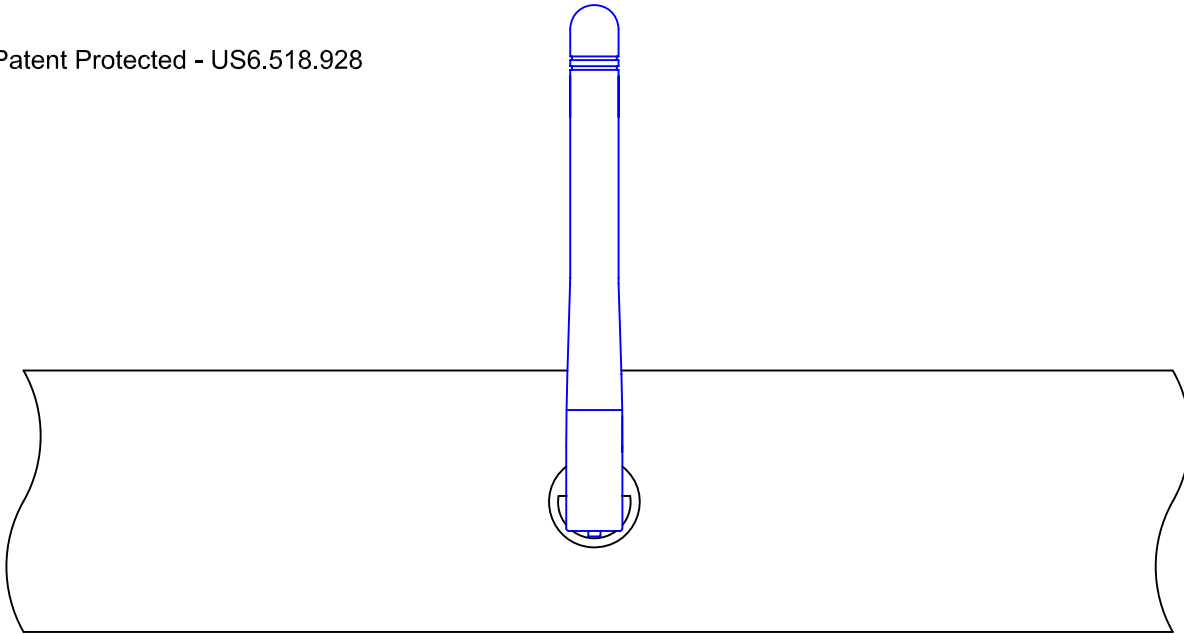
③



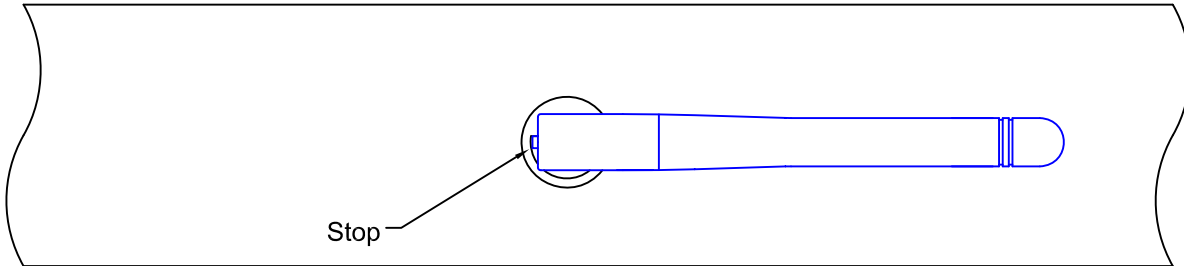
④ Installation Completed



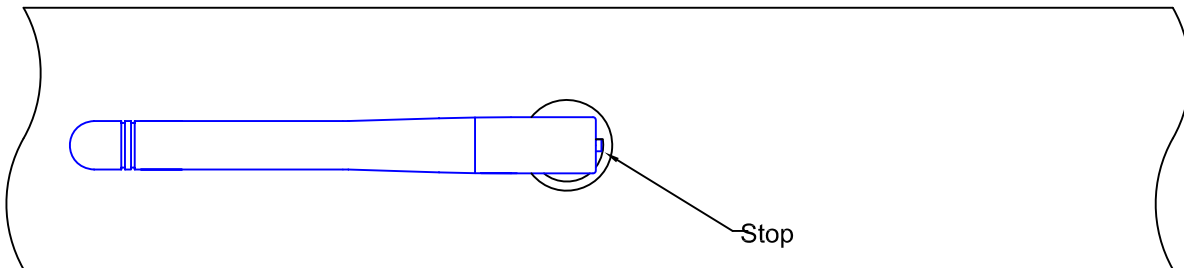
TITLE	2.4GHz Flying Lead Panel Click Antenna		DATE	SHEET
UNIT	DWG. NO.	S131CL2-L-XXX-2450S	03/25/09	3 of 4
in.(mm)	<b>NEARSON</b>			A
SCALE				
none				



Antenna Upword



Rotation +90°



Rotation -90°

1. 131CL2 model can also rotate in panel parallel direction.
2. Rotate in -90° to +90° prevent the cable over-twisted inside the device.
3. The antenna can stay in any angle between -90° and +90°.

L (inch)	Attenuation (dB)
3"	0.20 dB
4"	0.27 dB
5"	0.33 dB
6"	0.40 dB
8"	0.53 dB
10"	0.66 dB
12"	0.79 dB

Flying Lead Cable Length v.s. Attenuation Table  
Standard M17/93-RG178 Cable Measured @ 2.4GHz

TITLE	2.4GHz Flying Lead Panel Click Antenna		DATE	SHEET
			03/25/09	4 of 4
UNIT	DWG. NO.	S131CL2-L-XXX-2450S		A
in.(mm)	<b>NEARSON</b>			
SCALE				
none				