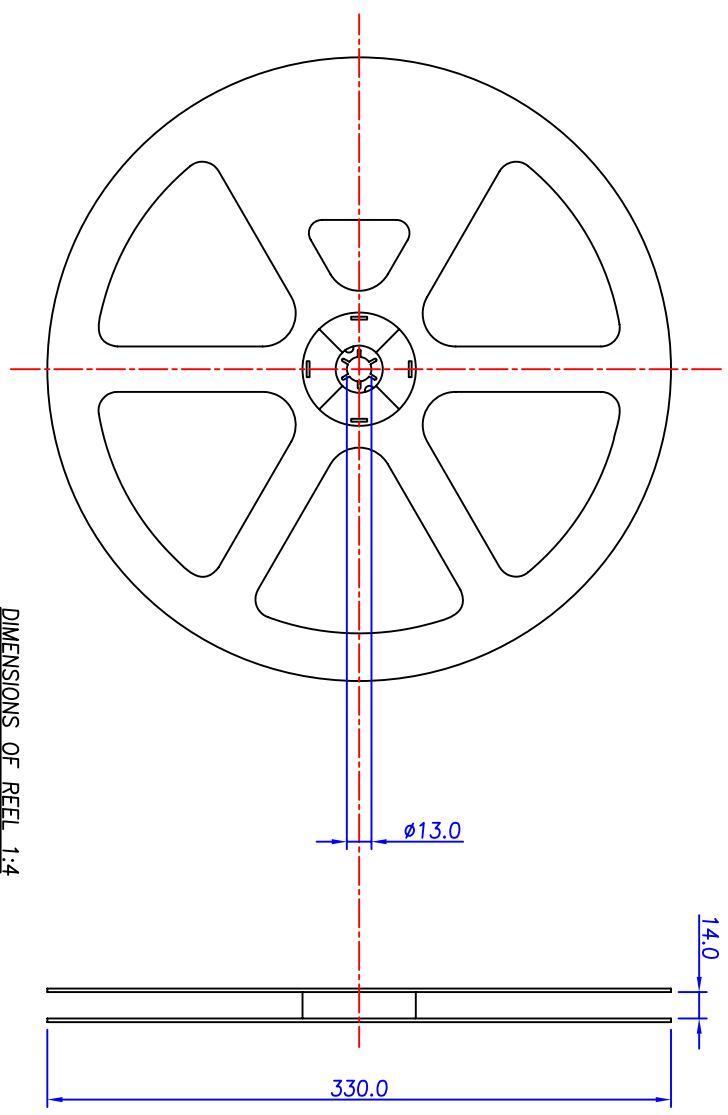
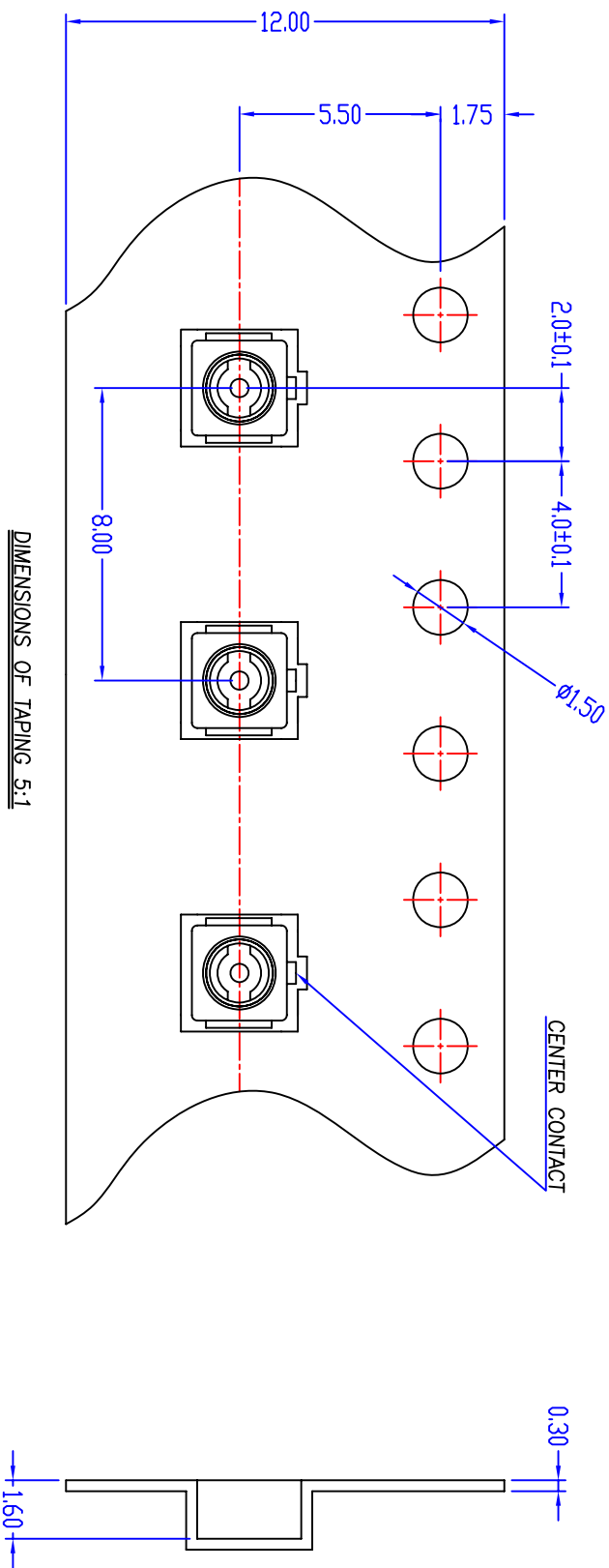


RECOMMENDED P.C.B. PATTERN

Ground Contact	Brass	Gold Plating
Center Contact	Brass	Gold Plating
Housing	LCP(UL94V-0)	
Description	Material	Finish

TITLE	Ultra-Miniature Coaxial SMT Connectors		DATE	052406	SHEET	1 of 2
UNIT	DWG. NO.	80004				
mm[in.]						
SCALE	10:1					
NEARSON						
http://www.nearson.com						



TITLE	Ultra-Miniature Coaxial SMT Connectors	DATE	052406	SHEET	2 of 2
UNIT	mm	DWG. NO.	80004		
SCALE					

NEARSON